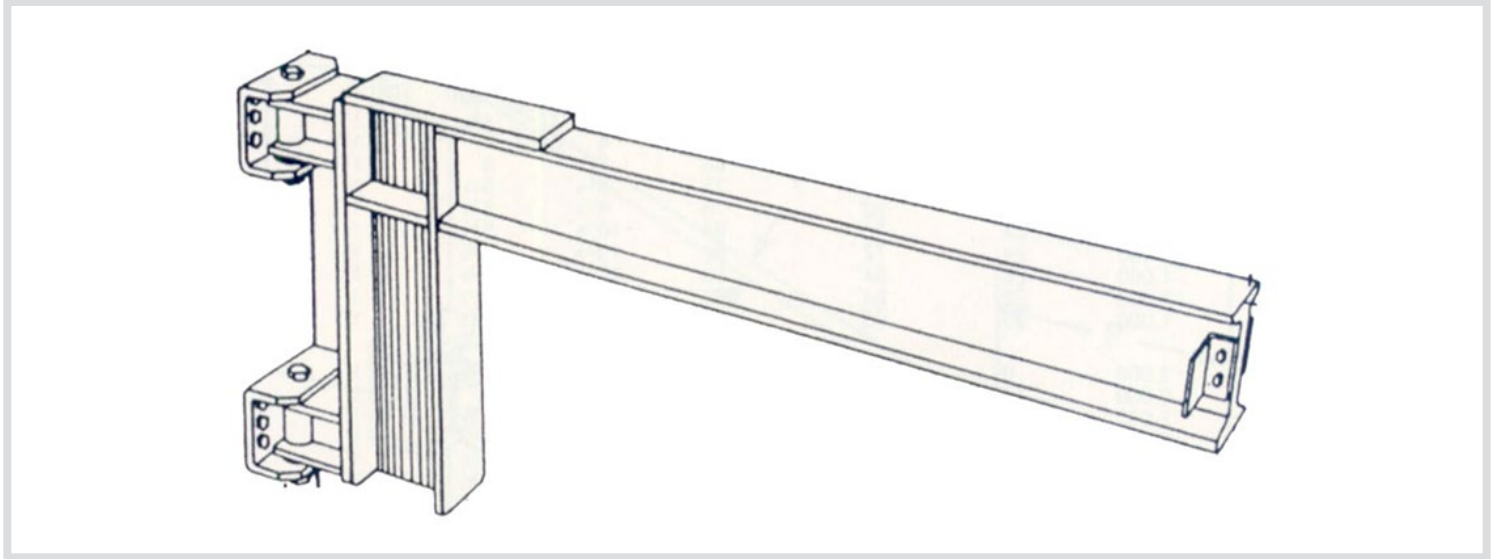


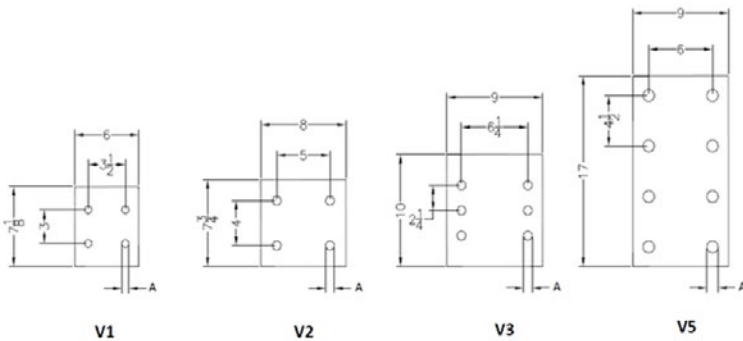
Wall Mounted Jib (WMQ)
Recommended List Pricing



Checkerboom Cantilever Jib Crane

- 1/4 – 5 Ton Capacity
- 180° – 200° Rotation
- Oil-Impregnated Pivot Bushings
- Grease Fittings in all Pivots
- Formed Wall Brackets
- Bolt-on Trolley Stops
- Maximum Clearance under boom where headroom is limited

Mounting Dimensions



Bracket Type	Hole Dia. 'A'	Bolt Dia. 'A'	Jib Rotation
V1	11/16"	5/8"	220°
V2	13/16"	3/4"	200°
V3	13/16"	3/4"	180°
V5	1-1/16"	1"	180°

CAPACITY	SPAN 'A'	MODEL NUMBER	BRACKET CENTRES 'B'	HINGE BRACKET	BEAM SIZE 'D'	APPROVAL DRAWING	CDN LIST PRICE
1/4 Ton 500 lbs	96" (8')	MWQ-500-96	26"	V1	W6	A0021385	\$1,655
	120" (10')	MWQ-500-120	30"	V1	W6	A0021386	\$1,692
	144" (12')	MWQ-500-144	36"	V1	W6	A0021387	\$1,812
	168" (14')	MWQ-500-168	42"	V1	W8	A0021388	\$1,837
	192" (16')	MWQ-500-192	48"	V1	W8	A0021389	\$2,013
	216" (18')	MWQ-500-216	54"	V1	W10	A0021390	\$2,128
	240" (20')	MWQ-500-240	60"	V1	W10	A0021391	\$2,552
1/2 Ton 1000 lbs	96" (8')	MWQ-1000-96	26"	V1	W6	A0021392	\$1,778
	120" (10')	MWQ-1000-120	30"	V1	W8	A0021393	\$1,812
	144" (12')	MWQ-1000-144	36"	V1	W8	A0021394	\$1,935
	168" (14')	MWQ-1000-168	42"	V1	W10	A0021395	\$2,033
	192" (16')	MWQ-1000-192	48"	V1	W10	A0021396	\$2,567
	216" (18')	MWQ-1000-216	54"	V1	W10	A0021397	\$2,615
	240" (20')	MWQ-1000-240	60"	V1	W12	A0021398	\$3,003
1 Ton 2000 lbs	96" (8')	MWQ-2000-96	27"	V1	W8	A0021399	\$1,913
	120" (10')	MWQ-2000-120	34"	V1	W10	A0021400	\$2,079
	144" (12')	MWQ-2000-144	41"	V1	W10	A0021401	\$2,178
	168" (14')	MWQ-2000-168	50"	V1	W12	A0021402	\$2,297
	192" (16')	MWQ-2000-192	58"	V1	W12	A0021403	\$2,809
	216" (18')	MWQ-2000-216	66"	V1	W12	A0021404	\$3,403
	240" (20')	MWQ-2000-240	75"	V1	W14	A0021405	\$3,579
2 Ton 4000 lbs	96" (8')	MWQ-4000-96	28"	V2	W10	A0021413	\$3,039
	120" (10')	MWQ-4000-120	36"	V2	W12	A0021414	\$3,117
	144" (12')	MWQ-4000-144	43"	V2	W14	A0021415	\$3,357
	168" (14')	MWQ-4000-168	51"	V2	W14	A0021416	\$3,745
	192" (16')	MWQ-4000-192	60"	V2	W16	A0021417	\$4,489
	216" (18')	MWQ-4000-216	68"	V2	W18	A0021418	\$4,999
	240" (20')	MWQ-4000-240	77"	V2	W18	A0021419	\$5,978
3 Ton 6000 lbs	96" (8')	MWQ-6000-96	42"	V2	W14	A0021420	\$4,084
	120" (10')	MWQ-6000-120	53"	V2	W14	A0021421	\$4,418
	144" (12')	MWQ-6000-144	64"	V2	W16	A0021422	\$4,854
	168" (14')	MWQ-6000-168	76"	V2	W18	A0021423	\$5,215
	192" (16')	MWQ-6000-192	65"	V3	W18	A0021424	\$5,811
	216" (18')	MWQ-6000-216	75"	V3	W18	A0021425	\$6,439
	240" (20')	MWQ-6000-240	61"	V5	W18	A0021426	\$7,705
5 Ton 10,000 lbs	96" (8')	MWQ-10000-96	38"	V5	W16	A0021427	\$6,919
	120" (10')	MWQ-10000-120	47"	V5	W18	A0021428	\$7,057
	144" (12')	MWQ-10000-144	57"	V5	W18	A0021429	\$7,294
	168" (14')	MWQ-10000-168	67"	V5	W21	A0021430	\$7,825
	192" (16')	MWQ-10000-192	79"	V5	W18	A0021431	\$8,889
	216" (18')	MWQ-10000-216	91"	V5	W18	A0021432	\$9,100
	240" (20')	MWQ-10000-240	100"	V5	W27	A0021433	\$9,412

Due to Motivation's dedication to continuous improvement, all dimensions shown are subject to change.

Note: Allowable loading values of each jib shown are available upon request.

Custom Jibs

- Available upon request
- Capacities from 1/4 to 20 Tons
- Spans up to 30 feet

